

October 18, 2024

Reference: CSIO/MSSA/HCP0057/157

Subject: Call for Expression of Interest (EoI)/quotation for the purchase of goods/fabrication job work for the ongoing project activities- reg

It is informed that following items are proposed to be purchased /fabricated. Interested parties are requested to **submit quotation** through email/hard copy to the undersigned **within next three days** from the date of publishing of notice.

Items/Goods/Job work required

Sr. No.	Description of the items/Goods/Jobwork	Quantity
1.	Fabrication of Mechanical Components as per attached Annexure I	05

Terms and Conditions:

Delivery: For CSIR-CSIO, Chandigarh

Lead time/delivery time: 2-3 weeks

Payment: After delivery and successful inspection



Dr Babankumar S. Bansod
Senior Principal Scientist & Project Leader
9888520252; scientist_babankumar@csio.res.in

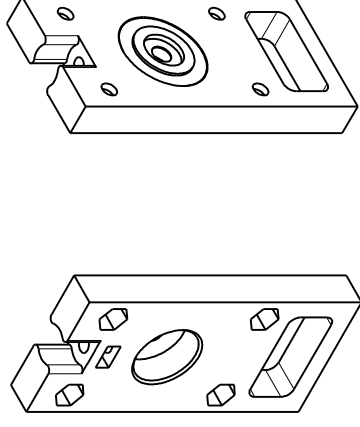
HEAD ISD, with a request to display on the CSIO website

Annexure-I

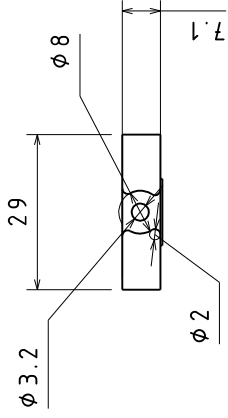
S.No.	Part name	Quantity
1.	Source Bracket	05
2.	Enclosure Bracket with standoffs	05
3.	Enclosure Top with integrated Screen	05
4.	Detector Tube Part Assembly	05
5.	Source Tube Part Assembly	05
6.	Circular Detector Bracket	05
7.	Detector-PCB base	05
8.	FSS Cuvette Holder Block	05

Annexure I

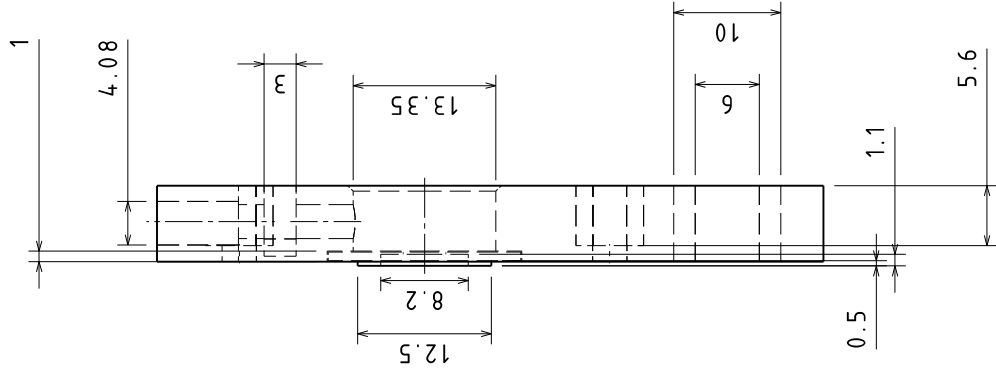
SOURCE BRACKET



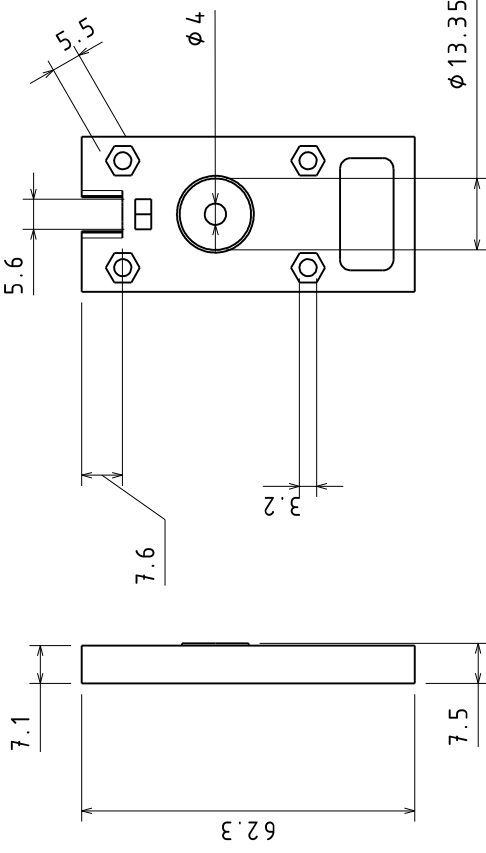
Isometric view
Scale: 1:1



Top view
Scale: 1:1

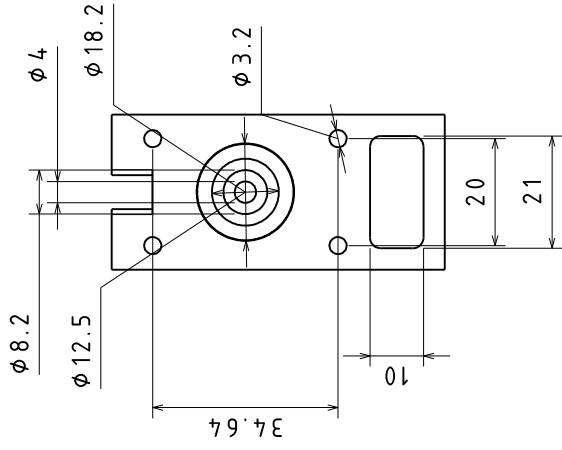


Right view
Scale: 2:1



Left view
Scale: 1:1

Rear view
Scale: 1:1



Front view
Scale: 1:1



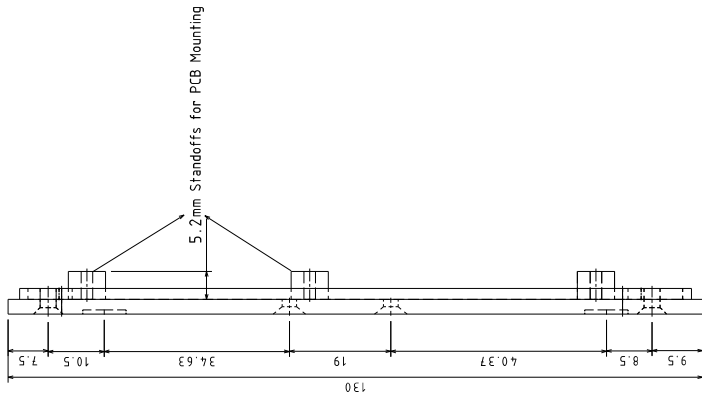
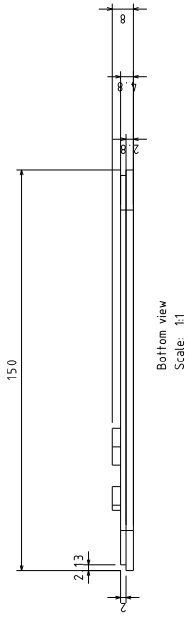
Bottom view
Scale: 1:1

1. All Dimensions in mm.

2. Fabrication Tolerances +100 Microns

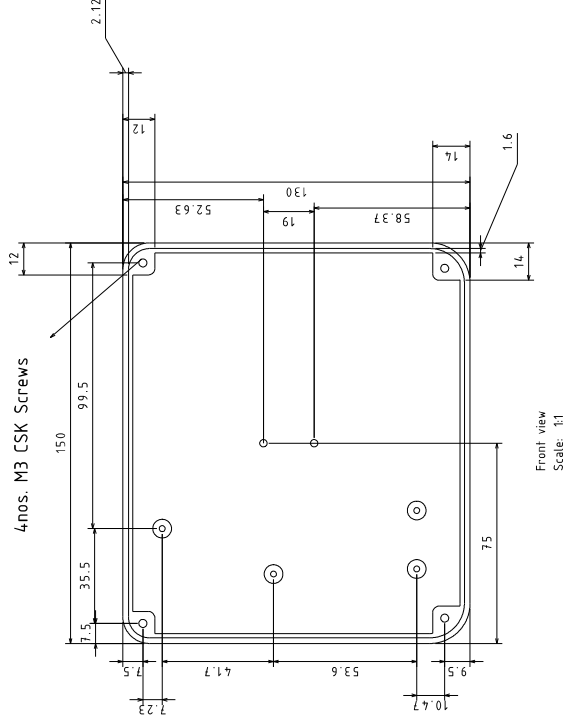
3. Material- Black Thermoplastic

Enclosure Base with Standoffs

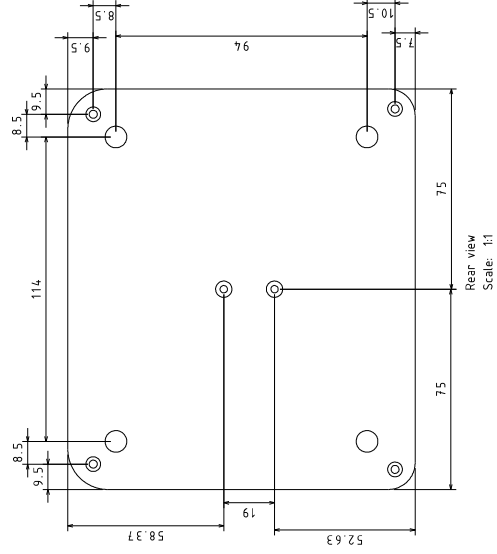
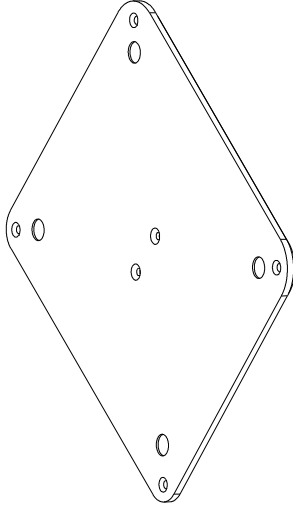
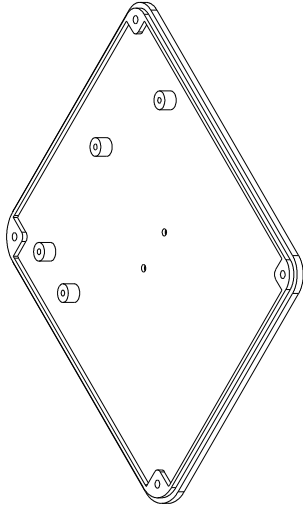


5.2mm Standoffs for PCB Mounting

>125mm M3 CSK Screws

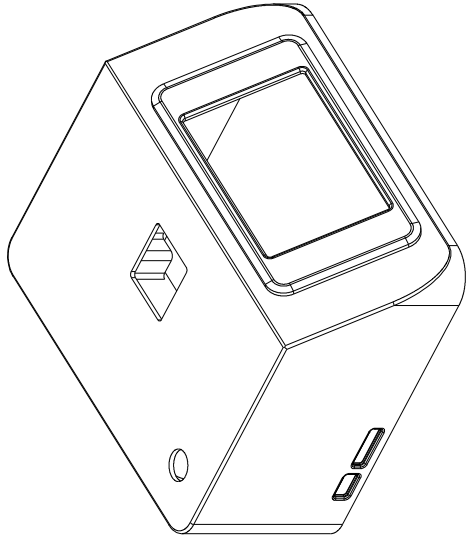
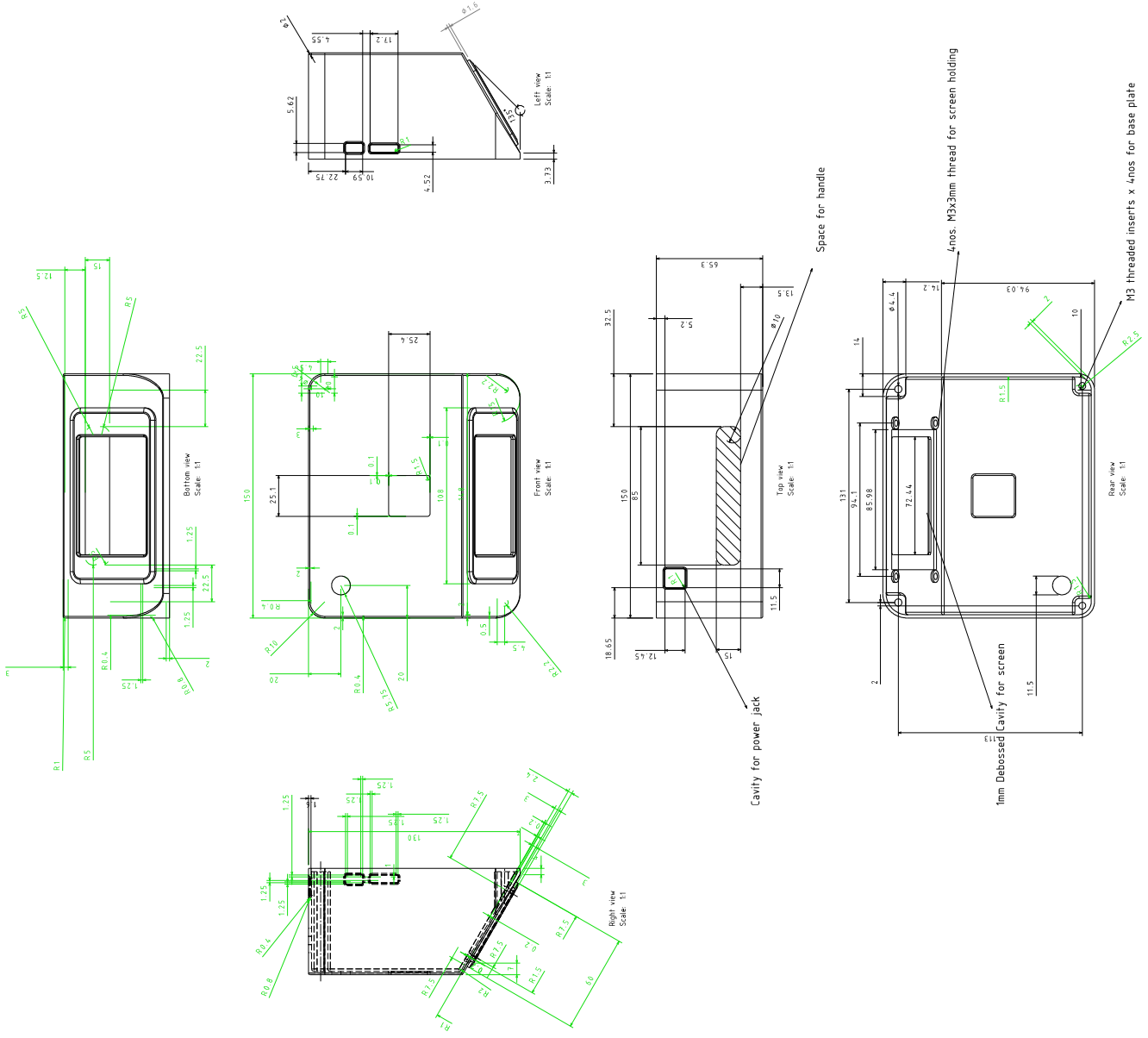


4 nos. M3 CSK Screws

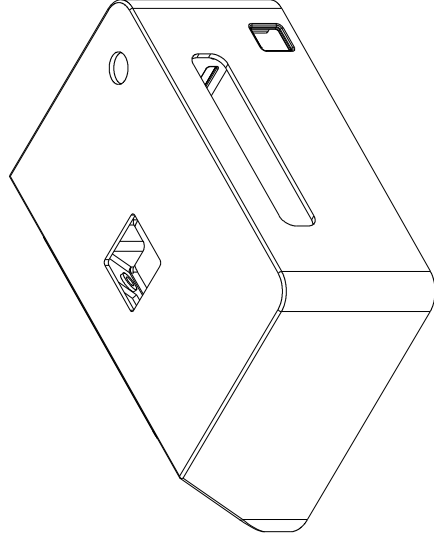


1. All Dimensions in mm.
2. Fabrication Tolerances ± 100 Microns
3. Material - Black Thermoplastic

Enclosure Top with integrated Screen



Isometric view
Scale: 3:2



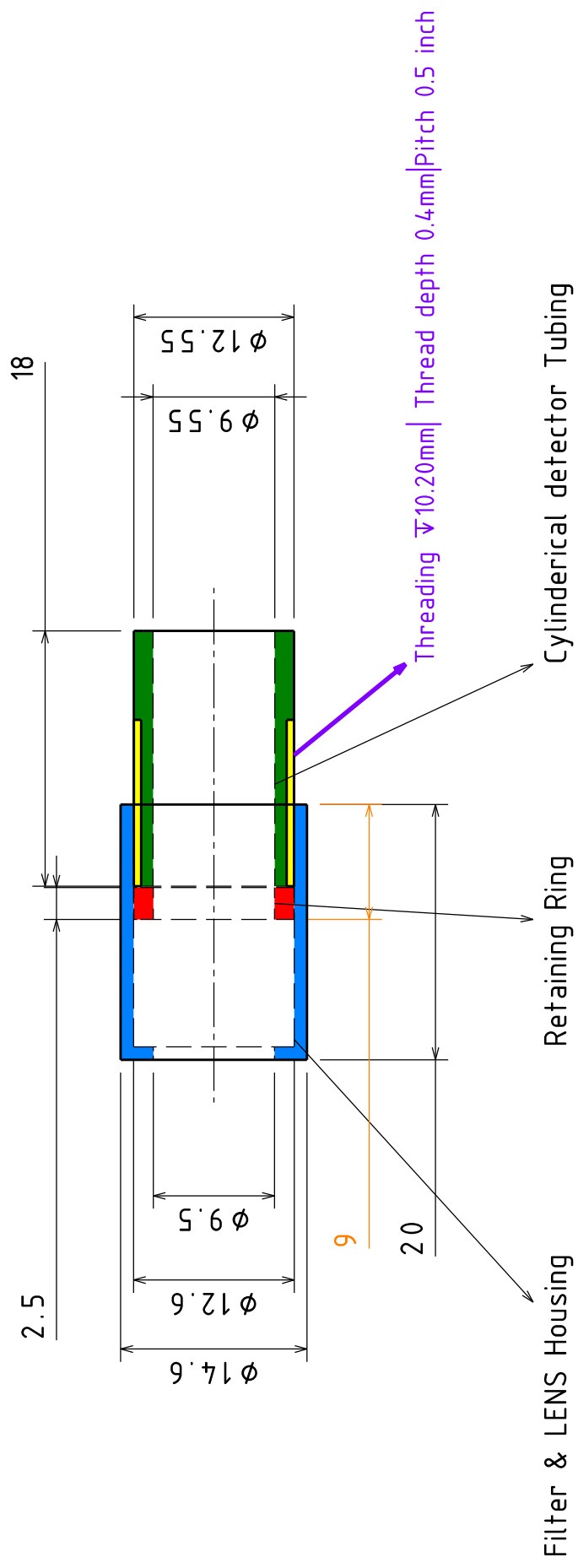
Isometric view
Scale: 3:2

1. All Dimensions in mm.

2. Fabrication Tolerances ± 100 Microns

3. Material - Black Thermoplastic

Detector Tube Part Assembly

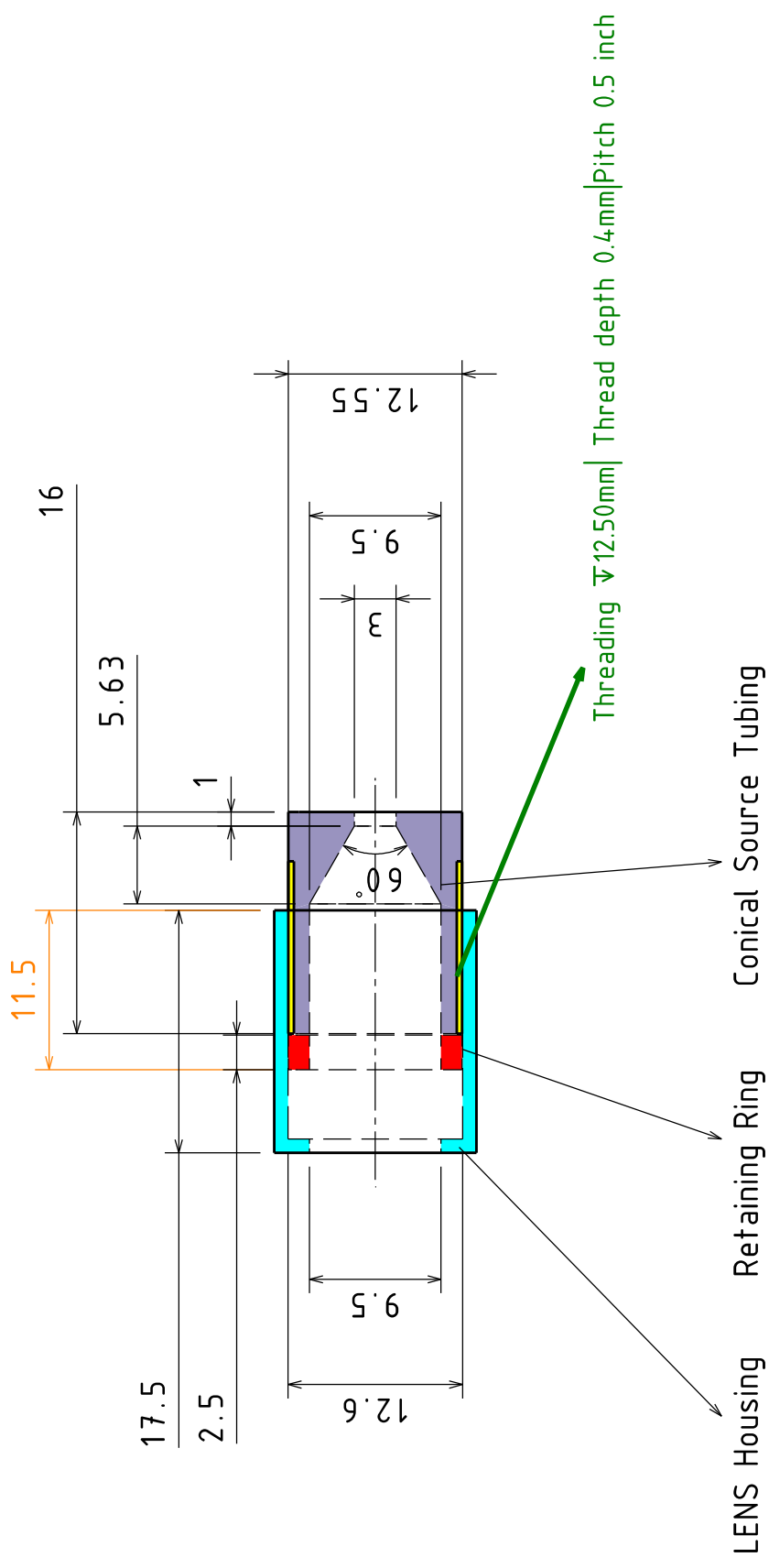


1. All dimensions in mm.

2. Tolerances ± 25 microns

3. Material- Stainless Steel Grade 303/304

Source Tube Part Assembly

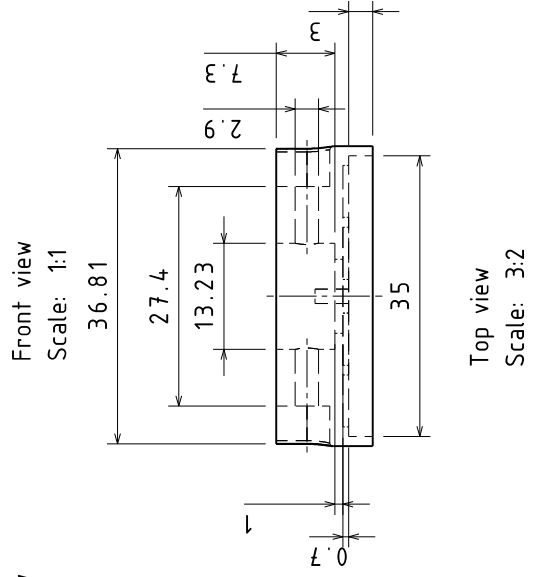
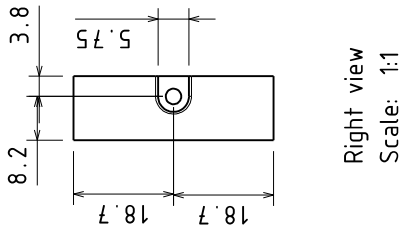
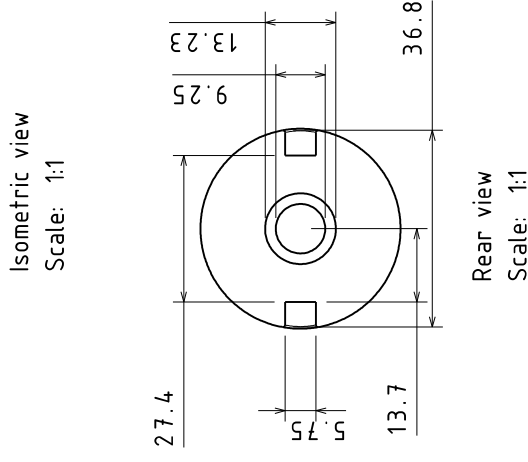
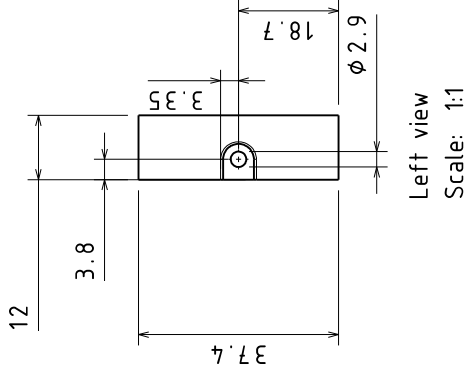
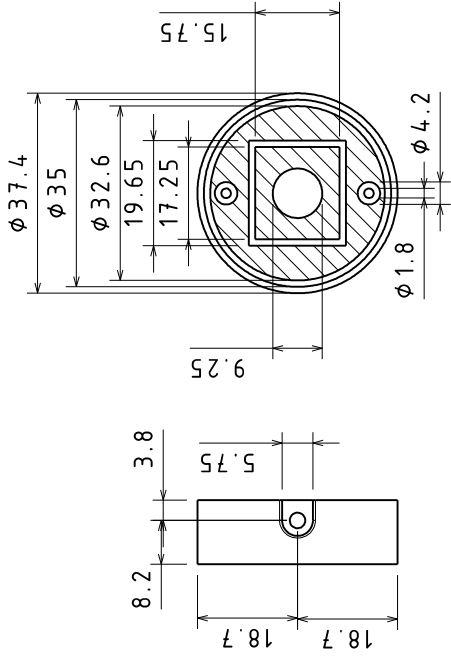
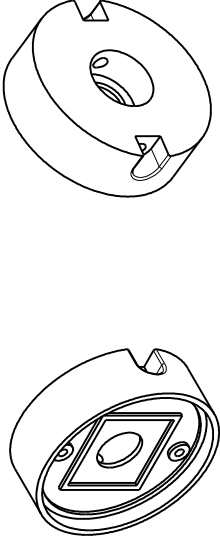
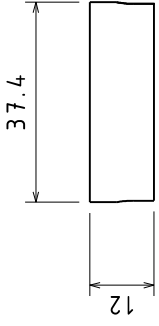


1. All dimensions in mm.

2. Tolerances +25 microns

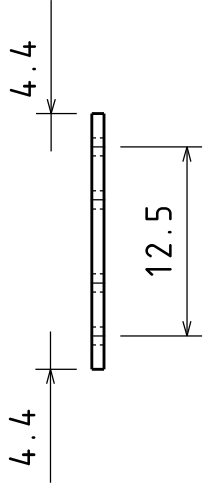
3. Material- Stainless Steel Grade 303/304

Circular Detector Bracket

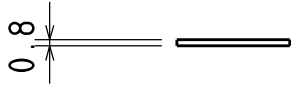


1. All Dimensions in mm.
2. Fabrication Tolerances +50 Microns
3. Material - Black Thermoplastic

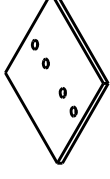
Detector-PCB base



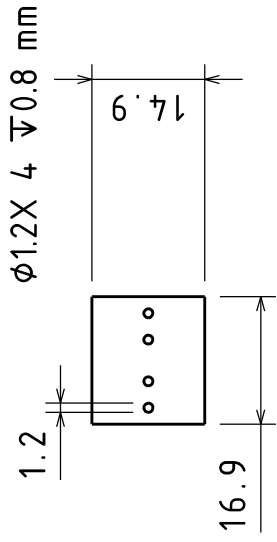
Top view
Scale: 2:1



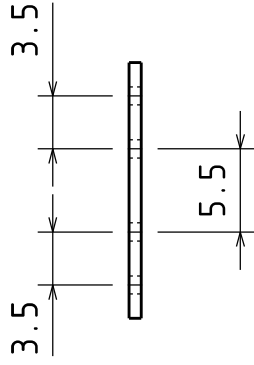
Right view
Scale: 1:1



Isometric view
Scale: 1:1



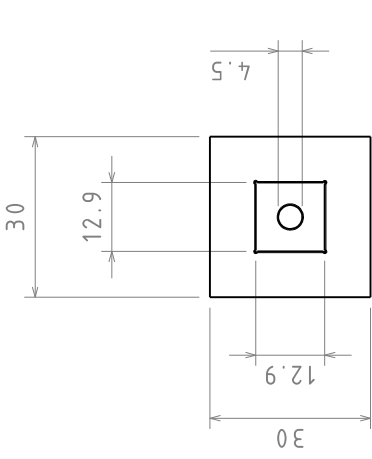
Front view
Scale: 1:1



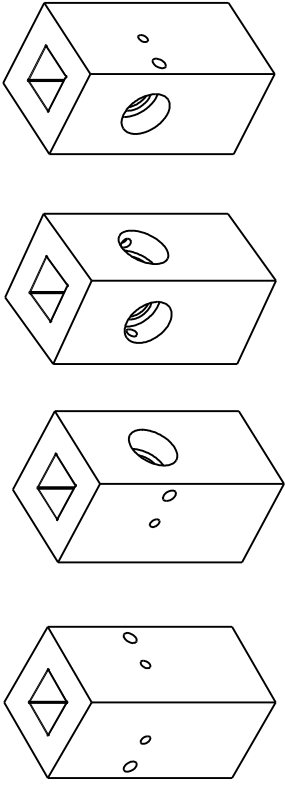
Bottom view
Scale: 2:1

1. All Dimensions in mm.
2. Fabrication Tolerances +50 Microns
3. Material- Black Thermoplastic

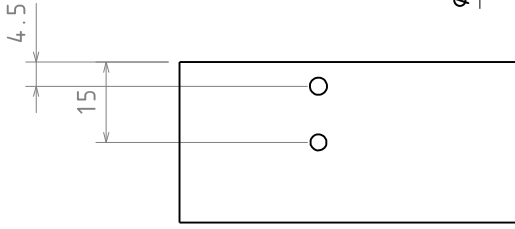
FSS Cuvette Holder Block



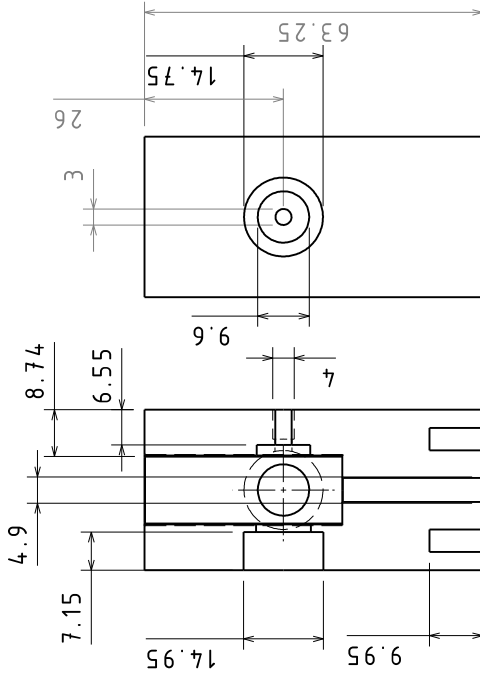
Top view
Scale: 1:1



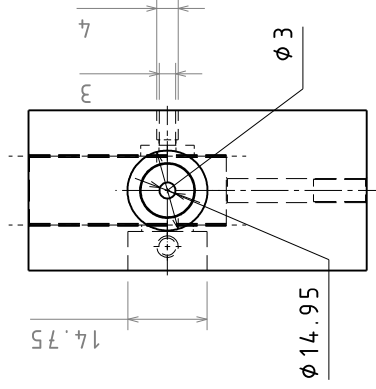
Isometric view
Scale: 2:3



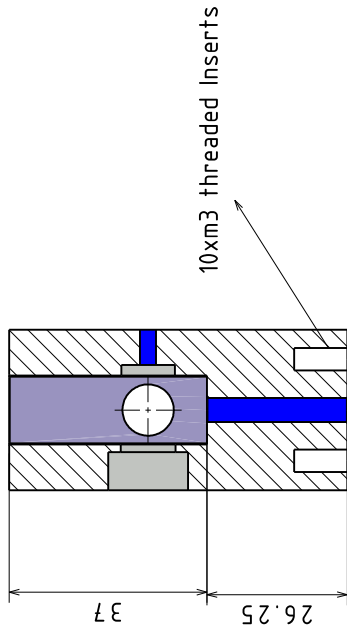
Left view
Scale: 1:1



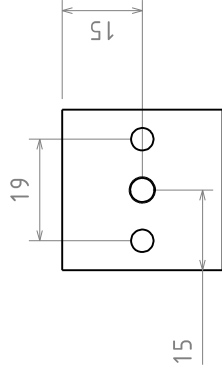
Rear view
Scale: 1:1



Auxiliary view A
Scale: 1:1



Front view
Scale: 1:1



Bottom view
Scale: 1:1

1. All Dimensions in mm.
2. Fabrication Tolerances +50 Microns
3. Material- Black Thermoplastic